

PZ&B
PALM BEACH COUNTY

09/07/2005 10:38:30

THIS INSTRUMENT WAS PREPARED BY:

LONDON M. CROSS OF
CARNAHAN-PROCTOR AND ASSOCIATES, INC.
 CONSULTING ENGINEERS
 SURVEYORS ENGINEERS PLANNERS
 6191 WEST ATLANTIC BLVD., MARGATE, FLORIDA 33063
 MARCH 1993 870606T JSH

BOCA GREENS (WEST PHASE) P.U.D.

0208-015

BOCA ISLES WEST PHASE 3A

A PORTION OF SECTION 12, TOWNSHIP 47 SOUTH, RANGE 41 EAST.
PALM BEACH COUNTY, FLORIDA

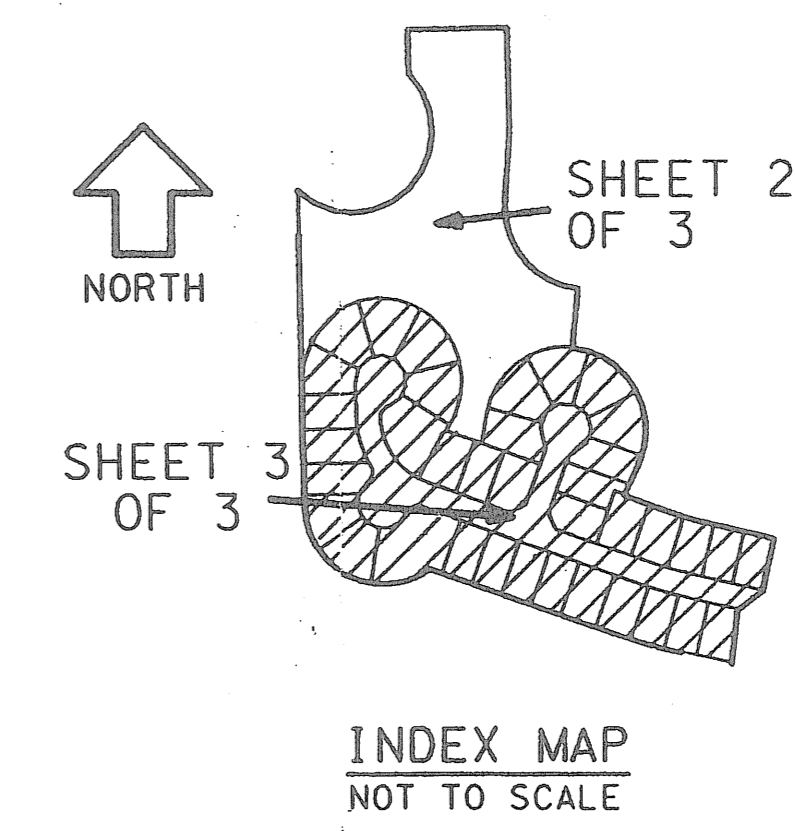
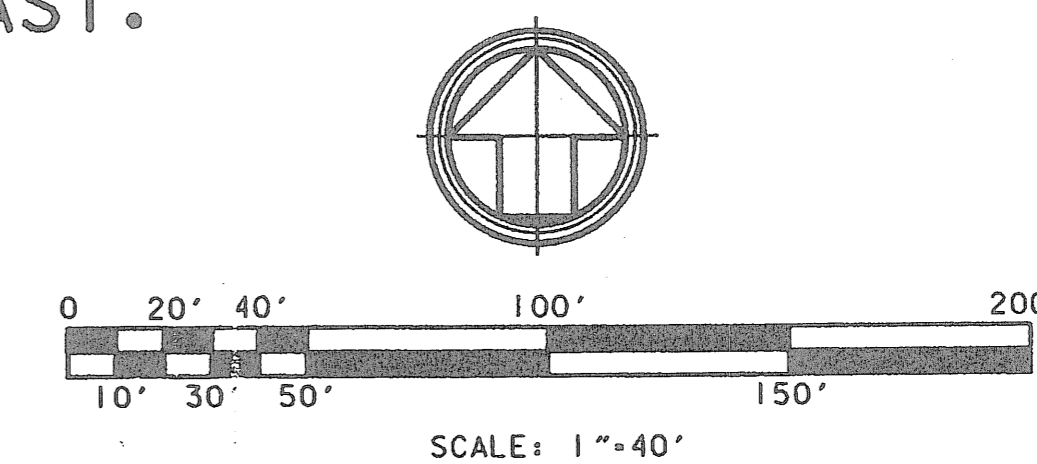
22

STATE OF FLORIDA
COUNTY OF PALM BEACH
PLAT WAS FILED FOR
RECORD AT

A.D., 1999 AND DULY RECORDED
IN PLAT BOOK ON PAGES
THROUGH
DOROTHY H. WILKEN, CLERK
BY: DC

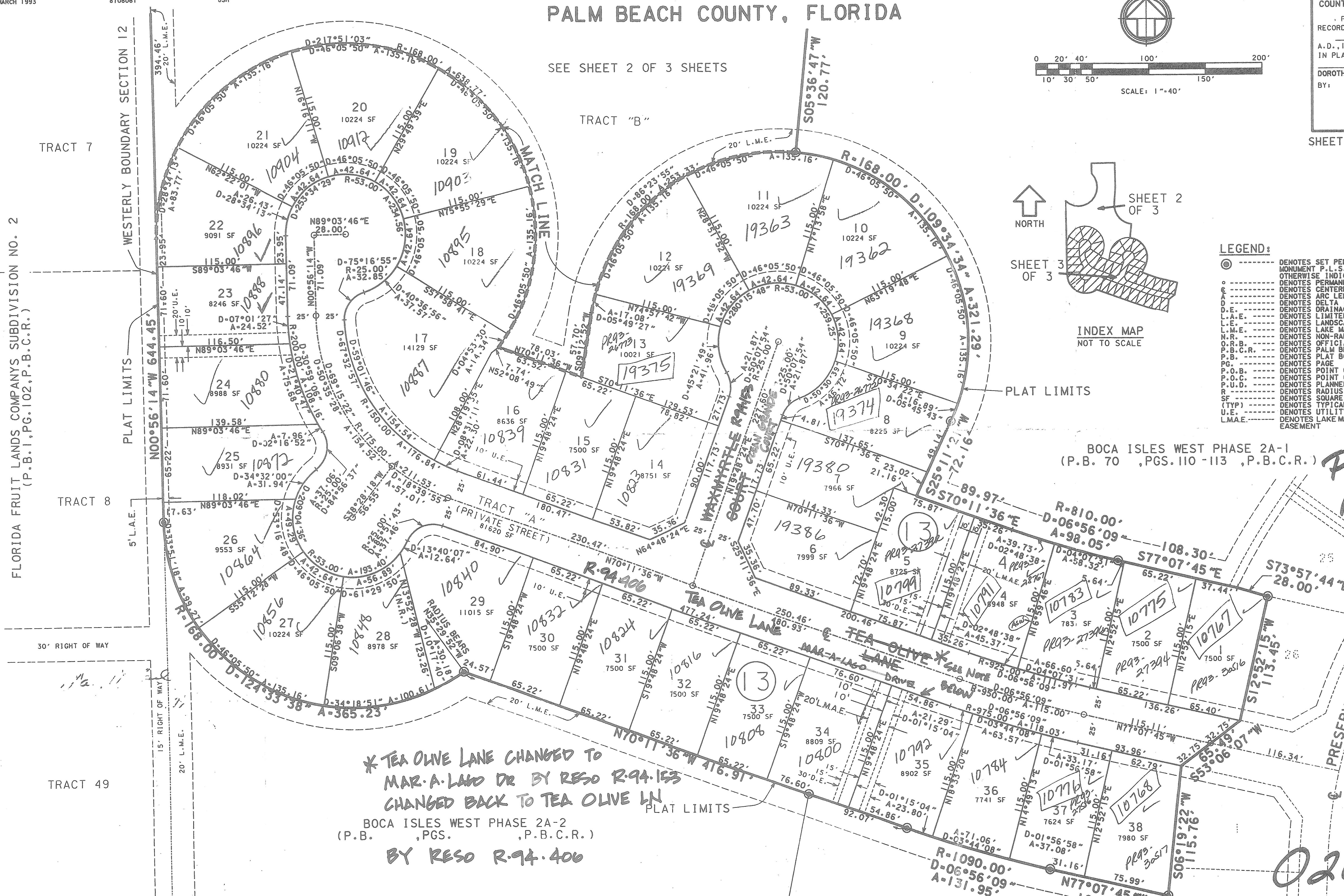
SHEET 3 OF 3 SHEETS

SEE SHEET 2 OF 3 SHEETS



LEGEND:

- DENOTES SET PERMANENT REFERENCE MONUMENT P.L.S. NO. 3348 (UNLESS OTHERWISE INDICATED)
- DENOTES PERMANENT CONTROL POINT
- DENOTES CENTERLINE
- DENOTES ARC LENGTH
- Δ DENOTES DELTA (CENTRAL ANGLE)
- D.E. DENOTES DRAINAGE EASEMENT
- L.A.E. DENOTES LIMITED ACCESS EASEMENT
- L.E. DENOTES LANDSCAPE EASEMENT
- L.M.E. DENOTES LAKE MAINTENANCE EASEMENT
- N.R. DENOTES NON-RADIAL
- O.R.B. DENOTES OFFICIAL RECORDS BOOK
- P.B.C.R. DENOTES PALM BEACH COUNTY RECORDS
- P.B. DENOTES PLAT BOOK
- P.G. DENOTES PAGE
- P.O.B. DENOTES POINT OF BEGINNING
- P.O.C. DENOTES POINT OF COMMENCEMENT
- P.U.D. DENOTES PLANNED UNIT DEVELOPMENT
- R DENOTES RADIUS
- SF DENOTES SQUARE FEET
- (TYP) DENOTES TYPICAL
- U.E. DENOTES UTILITY EASEMENT
- L.M.A.E. DENOTES LAKE MAINTENANCE ACCESS EASEMENT



FLORIDA FRUIT LANDS COMPANYS SUBDIVISION NO. 2
(P.B. 1, PGS. 102, P.B.C.R.)

WESTERLY BOUNDARY SECTION 12

PLAT LIMITS

PLAT LIMITS

* TEA OLIVE LANE CHANGED TO
 MAR.A. LAGO DR BY RESO R.94.153
 CHANGED BACK TO TEA OLIVE LN
 BOCA ISLES WEST PHASE 2A-2
 (P.B. , PGS. , P.B.C.R.)
 BY RESO R.94.406

BOCA ISLES WEST PHASE 2A-1
 (P.B. 70 , PGS. 110 - 113 , P.B.C.R.)

PET. 77-131
 ALLOC. #0001
 0001

TR. 3A BOCA
 GREENS PUD

BOCA ISLES WEST PHASE 2A-1
 (P.B. 70 , PGS. 110 - 113 , P.B.C.R.)

BOCA ISLES WEST PHASE 3A 7/1/22

BOOK 71 PAGE 20
 FLOOD MAP # 1006
 ZONING RE
 QUAD # 68
 SE 77.13
 ZIP CODE 33434
 PUD NAME BOCA GREENS

TAZ: 881

TRACT 49

TRACT 7

TRACT 8

TRACT "B"